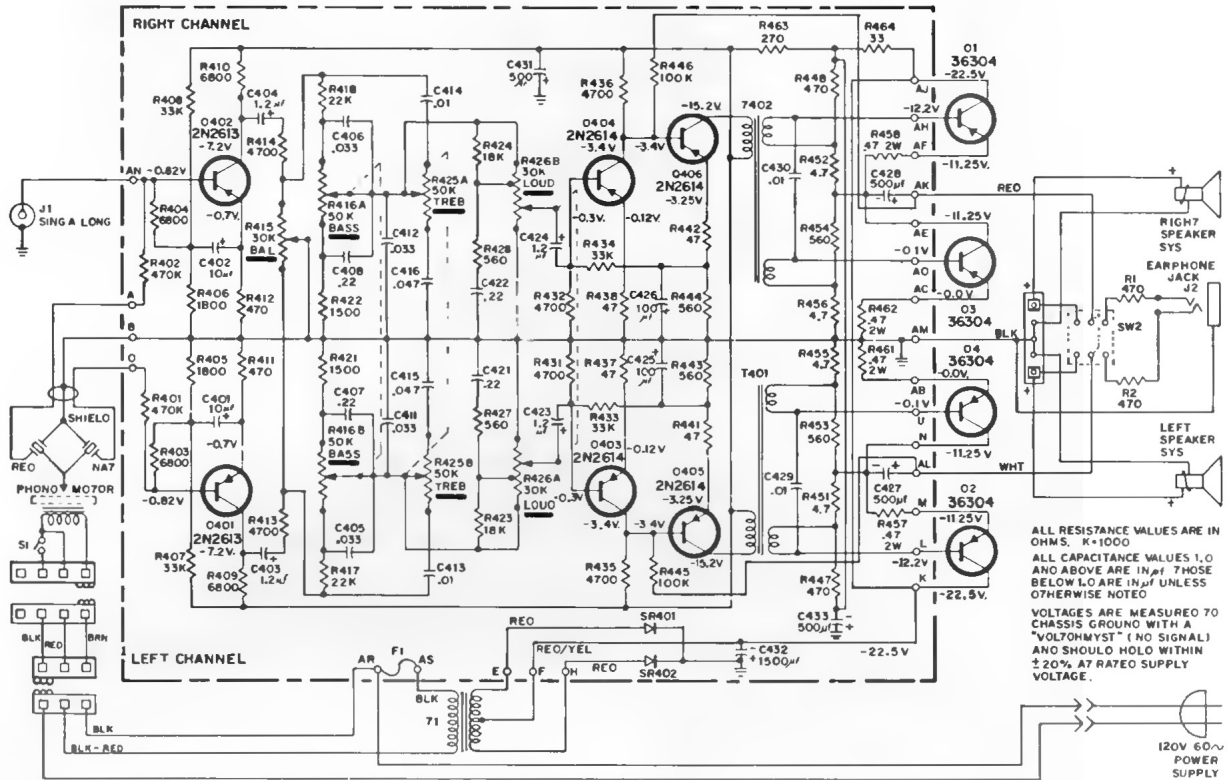


RCA VICTOR

Model VGP 72

Chassis RS-216A



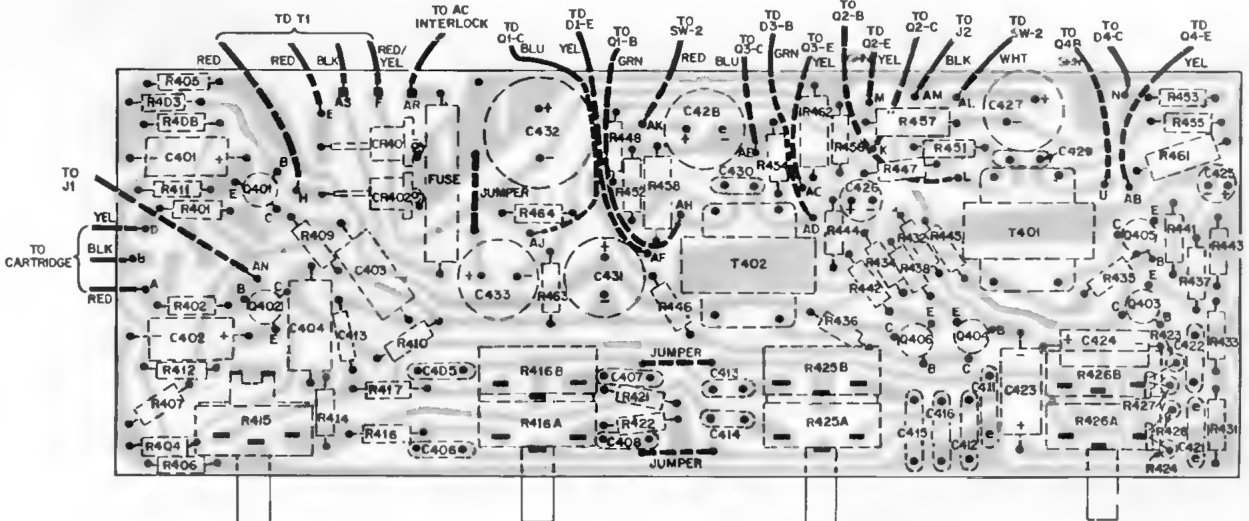
(Models VGE-15M, VGP-83 Chassis RS-219A, -B, are similar to this material)

CHASSIS REMOVAL

The top of the record changer compartment comprises the complete chassis. It rests on and is secured to a ledge at the front and is held by screws at the rear. The recommended procedure for its removal is as follows:

1. Remove knobs.
2. Pull record changer drawer down.
3. Remove four (4) plated screws holding front of chassis to horizontal ledge located inside of compartment at front of top.

4. Remove wires, running down each back corner of compartment, from holding clips.
5. Remove four (4) painted screws holding rear of chassis to rear of instrument. (Hold chassis—top of compartment—to prevent its falling.)
6. Chassis may then be lowered and removed.
7. Disconnect speaker cables and lift chassis out of case.



Printed Wiring Board—View from Wiring Side